

# ITPC-B150-CP2

## 15 inch Capacitive Touch Panel PC



### Features:

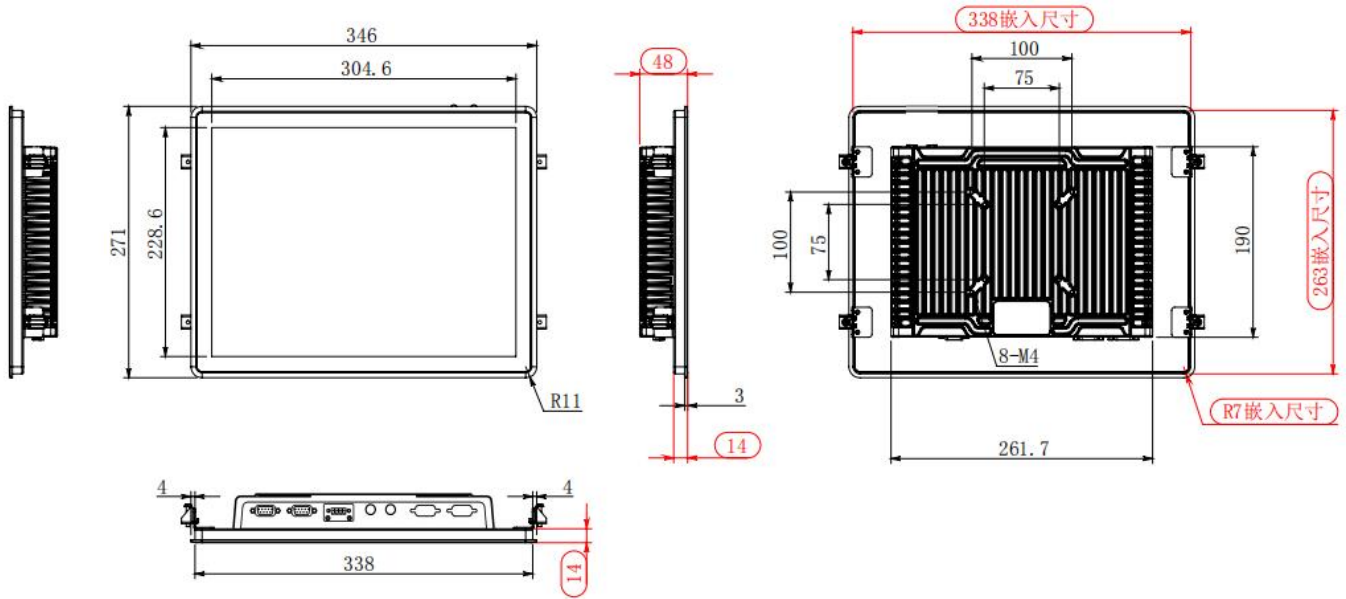
- ◇ Intel Celeron J1900/J6412/Core i5/i7 CPU;
- ◇ Adopt HD LCD screen , multi-point capacitive touch screen;
- ◇ Support 1 MSATA/slot; 1 MINI PCIE/WiFi/4G slot
- ◇ Optional 4 COM ports , (One optional RS232/485)
- ◇ Supports embedded, desktop, wall mounted, VESA standard
- ◇ Full plane front panel, IP65 protection level;
- ◇ Applied OS:



### Specification

Model	ITPC-B150-CP2
Color	Gray
Material	Aluminum Alloy + Steel Plate
Processor	Intel Celeron J1900/J6412 4/5th gen Intel Core i5/i7(the specific model is subject to shipment)
Chipset	Intel CPU Integrated Chip
RAM	J1900: 1 DDR3L 1333/1600 Ram slot, Max. 8GB J6412: support 1 DDR4 3200 Ram slot, Max. 16GB 4/5th gen i5/i7: support 2 DDR3L 1333/160 Ram slot, Max. 16GB
BIOS	AMI UEFI BIOS
Display Chip	Intel Graphics
Display Port	1*VGA, 1*HDMI, 1*LVDS(Support Synchronous/Asynchronous Dual Display)
Storage	1*MSATA Slot(According To The Selected Motherboard)
Expansion Slot	Support 1 MINI PCIE slot (optional WIFI/4G)
I/O	1 power switch, 1 DC , 1 HDMI, 1 VGA, 2 USB 3.0, 2 USB 2.0, 2 Gigabit Ethernet ports, 1 Mic, 1 Line Out, 2 COM (1 optional)
LCD	Size: 15inch TFT-LCD; Ratio: 4: 3; Resolution: 1024 * 768; Brightness: 350 cd/m <sup>2</sup> ;
Touch Screen	Multi point capacitive touch screen, with a lifespan of over 50 million times; Adopting and manufacturing techniques to adhere to the LCD screen;
Speaker	2*8Ω 2W speaker
Input Voltage	DC 12V
Work Temp	Temp: 0°C ~ +50°C, surface air flow; Humidity: 5% ~ 95% non-condensing
Dimension	346*271*48 mm
Net Weight	2.9kg
Application	Industrial Automation, Medical, Logistics & Transportation, Warehousing, E-Education etc.,
Warranty Policy	1 Year Warranty (If Otherwise Agreed In The Contract, The Contract Shall Prevail)

# ITPC-B150-CP2 Drawing



## Accessories List

Name	Quantity	Specification
Power Adapter	1	12V 5A
Power cord	1	Any Plug Optional (China, US, EU, UK etc.)
Embedded installation buckle	4	Install the buckle and matching screws
Desktop, wall mounted, and three-dimensional brackets	1	Optional Accessories

## Order information

Configuration	processor	I/O	Internal extension	Remark
1	Intel Celeron J1900	LAN*2/USB*4/COM*2/VGA*1/ DC-IN*1/ HDMI*1/Audio*2	1*DDR3L/8G Max/1*mSATA/ 1*minni_PCIE wifi/(4G/5G) pick one of two	Please Contact Us Get More Details
2	Intel Celeron J6412	LAN*2/USB*4/COM*2/VGA*1/ DC-IN*1/ HDMI*1/Audio*2	1*DDR4/16G Max/1*M.2 KeyB(SATA) 1*M.2 KeyA not supported 4/5G	
3	4/5 代 Intel Core i5/i7	LAN*2/USB*4/COM*2/VGA*1/ DC-IN*1/ HDMI*1/Audio*2	2*DDR3L/16G Max/1*mSATA/ 1*minni_PCIE wifi/(4G/5G) pick one of two	